

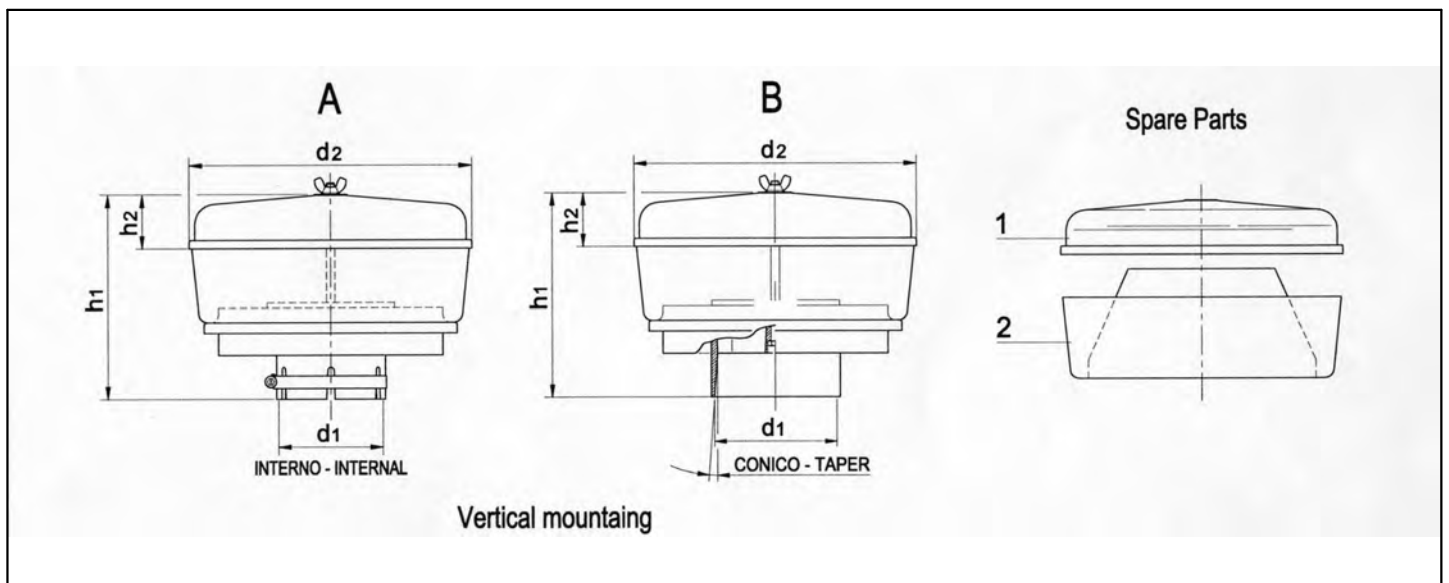
Caratteristiche

I prefiltri a ciclone **Virgis Filter** "serie CT" oltre che fungere da cappello parapioggia, grazie alle alette centrifughe operano una prima separazione della polvere, fino al 75 - 85 %, con una minima perdita di carico. Questo permette di ridurre notevolmente la sostituzione degli elementi filtranti. La manutenzione della vaschetta trasparente sarà effettuata quando la polvere raggiunge il livello massimo indicato e pertanto dovrà essere vuotata.



General information

Virgis Filter cyclone pre-cleaner "CT" can be used like rain cap, than trough the centrifugal deflectors system achieves a first step of separation dust until 75-85% with low pressure drop, then permit to extend service intervals. Bowl service will be done when dust achieves maximum level suggested, at this point the bowl must be empty.



TIPO TYPE	MODELLO MODEL	PORTA ARIA AIR FLOW	d1	d2	h1	h2	RICAMBI - SPARE PARTS	
							COPERCHIO COVER	VASCHETTA BOWL
	Codice-Code	m³/min	Dimensioni - Dimensions in mm				1	2
A	CT-11803	1.4	40.2	143	135	28	CTR-11187	CTR-11186
A	• CT-13285	1.4 - 1.5	42	143	135	28	CTR-11187	CTR-11186
A	• CT-12982	1.4 - 1.7	45.2	143	135	28	CTR-11187	CTR-11186
A	• CT-13104	1.8 - 3.3	48	143	135	28	CTR-11187	CTR-11186
A	CT-11193	2.1 - 3.7	51.2	143	135	28	CTR-11187	CTR-11186
A	• CT-13284	2.1 - 4.1	54	143	135	28	CTR-11187	CTR-11186
A	• CT-11216	2.1 - 4.6	57.2	143	135	28	CTR-11187	CTR-11186
A	• CT-12832	2.1 - 4.8	60.2	143	135	28	CTR-11187	CTR-11186
A	CT-11192	2.5 - 5.1	63.7	143	135	28	CTR-11187	CTR-11186
A	CT-11938	2.5 - 5.3	63.7	173	144	45	CTR-11285	CTR-11286
A	CT-11669	2.5 - 5.3	65.2	143	135	28	CTR-11187	CTR-11186
A	• CT-14318	2.5 - 5.5	65	173	144	45	CTR-11285	CTR-11286
A	• CT-11444	2.5 - 6.1	68.2	173	144	45	CTR-11285	CTR-11286
A	• CT-11939	2.5 - 6.4	70.2	173	144	45	CTR-11285	CTR-11286
A	CT-14068	3 - 6.8	76.2	186	178	49	CTR-14070	CTR-12499
A	CT-11283	3 - 6.7	76.2	173	144	45	CTR-11285	CTR-11286
A	CT-13088	3 - 7.5	76.2	270	191	51	CTR-11165	CTR-11164
A	CT-11456	3 - 6.9	77.2	173	144	45	CTR-11285	CTR-11286
A	CT-16930	5 - 9	82.2	270	191	51	CTR-11165	CTR-11164
A	• CT-14049	5 - 8.8	90	270	191	51	CTR-11165	CTR-11164
A	CT-11050	5 - 10	96.2	270	191	51	CTR-11165	CTR-11164
A	CT-11185	5.6 - 11.3	102.2	270	191	51	CTR-11165	CTR-11164
A	• CT-12972	6 - 11	110	270	191	51	CTR-11165	CTR-11164
A	CT-16781	9.5 - 19.5	110	306	205	52	CTR-13306	CTR-13208
A	• CT-16825	9.5 - 19.5	114	306	205	52	CTR-13306	CTR-13208
A	CT-11454	6 - 11.8	114.2	270	191	51	CTR-11165	CTR-11164
A	CT-13304	6 - 12	115.2	270	191	51	CTR-11165	CTR-11164
A	• CT-13431	7 - 13.1	120.2	270	192	51	CTR-11165	CTR-11164
A	CT-11455	8 - 14.7	127.2	270	192	51	CTR-11165	CTR-11164
A	CT-13282	8.5 - 20.1	127.2	306	205	52	CTR-13306	CTR-13208
A	• CT-13283	9 - 23	150.2	306	205	52	CTR-13306	CTR-13208
A	CT-13209	9 - 23.7	152.5	306	205	52	CTR-13306	CTR-13208
A	CT-13563	11 - 28	178	306	254	52	CTR-13306	CTR-13208
A	CT-15953	11 - 30	178	406	270	53	CTR-15932	CTR-15929
A	CT-15971	11 - 33.4	203.2	406	310	53	CTR-15932	CTR-15929
B	CT-14071	2.5 - 5.4	64.3	186.5	178	49	CTR-14070	CTR-12499
B	CT-13089	3 - 7.5	76	270	197	51	CTR-11165	CTR-11164
B	CT-12195	5.6 - 11.4	102.4	270	197	51	CTR-11165	CTR-11164
B	CT-14100	8 - 20.2	128	306	218	52	CTR-13306	CTR-13208

• d1 CON RIDUZIONE - d1 WITH REDUCTION

B = Imbocco conico - B = Conical inlet