



Applicazione

I filtri aria **Virgis Filter** serie FC - FL sono filtri metallici a due stadi con un tipo di costruzione compatta e con prefiltro separatore integrato. Risultano indicati nell'impiego in condizioni di forte presenza di polvere, per esempio, macchine movimento terra, veicoli da cantiere, macchine agricole ecc.

I filtri **Virgis Filter** possono essere montati sia orizzontalmente che verticalmente.

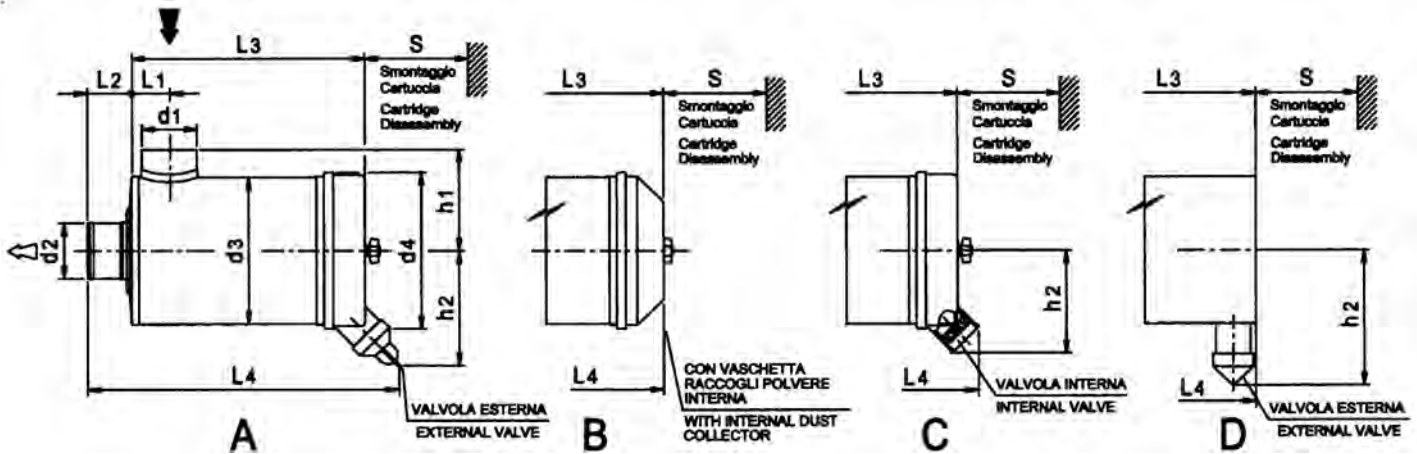
Il corpo filtro è in grado di resistere alle più gravose condizioni esterne grazie alla qualità della verniciatura e alla tecnologia di costruzione.

Le temperature d'esercizio sono comprese tra i -40°C e +100°C (con punte di +120°C)

Application

The **Virgis Filter** air cleaners FC - FL series are two stage filters manufactured with a compact shape and with an integrated separator pre-cleaner. They are suitable for heavy duty applications, for example, earth moving machines, building trade trucks, agricultural machines, etc. The **Virgis Filter** air cleaners can be mounted horizontally as well as vertically. The high quality of painting and manufacturing technology allows the housing to resist to the worst environment conditions.

Temperature of work for continuous use is -40 °C to + 100 °C. Short peaks of up to +120 °C are possible.



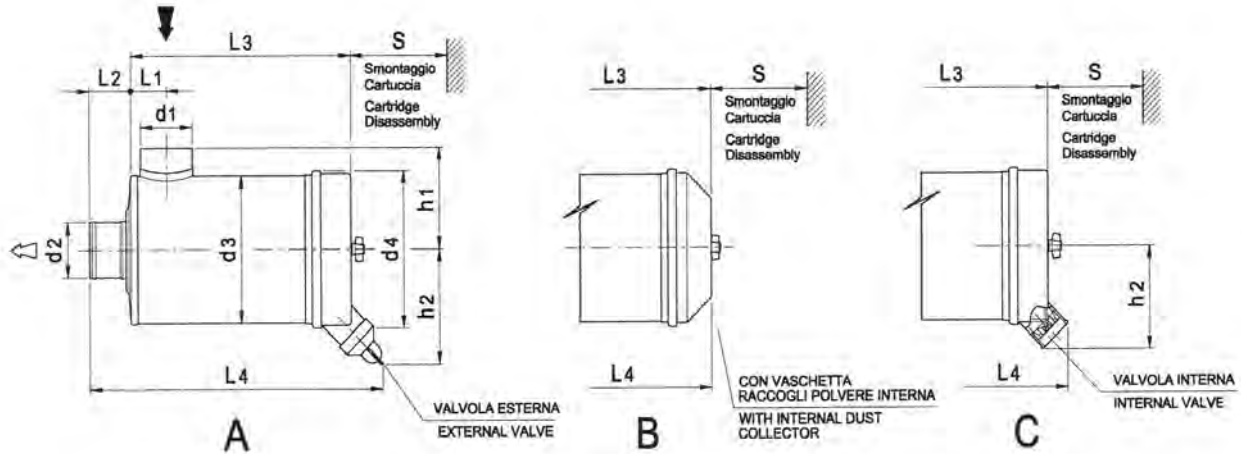
COPERCHIO CAP	TIPO TYPE	FILTRO FILTER	PORT. ARIA AIR FLOW	CARTUCCE - ELEMENTS		d1	d2	d3	d4	L1	L2	L3	L4	h1	h2	S
		Codice-Code	m ³ /min	Primaria Main Element	Sicurezza Safety Element (optional)											
P	A-C	FC04-11981	1.7	CH04-11675	-	51	44	112	128	37	51	203	272	92	83	125
M	B	FC04-11911	1.7	CH04-11675	-	51	44	112	128	37	51	216	267	92	-	125
P	A-C	FC05-11550	2.2	CH05-11555	ST05-11618	51	51	133	146	39	61	160	265	103	120	100
M	B	FC05-11839	2.2	CH05-11555	ST05-11618	51	51	133	146	39	61	194	255	103	-	100
P	A-C	FC05-11095	2.9	CH05-11106	ST05-11108	51	51	133	146	39	61	274	379	103	120	205
M	B	FC05-11608	2.9	CH05-11106	ST05-11108	51	51	133	146	39	61	303	364	103	-	175
P	A-C	FL05-11642	3.7	CH05-11467	ST05-11655	63.5	57	133	146	42	61	370	475	103	120	290
M	B	FL05-11699	3.7	CH05-11467	ST05-11655	63.5	57	133	146	42	61	402	463	103	-	285
P	A-C	FC06-11053	3.7	CH06-11038	ST06-11109	63.5	57	165	178	42	61	297	402	118	135	240
M	B	FC06-11604	3.7	CH06-11038	ST06-11109	63.5	57	165	178	42	61	332	393	118	-	195
P	A-C	FL06-11303	4.7	CH06-11295	ST06-11315	76	76	165	178	50	60	400	505	162	135	343
M	B	FL06-11700	4.7	CH06-11295	ST06-11315	76	76	165	178	50	60	430	495	162	-	305
P	A-C	FC08-11002	5.7	CH08-11003	ST08-11110	76	76	203	215	52	62	327	432	140	160	240
M	B	FC08-11701	5.7	CH08-11003	ST08-11110	76	76	203	215	50	62	367	428	140	-	225
P	A-C	FL08-11306	8.4	CH08-11288	ST08-11316	95	88.9	203	215	62	66	403	517	184	160	340
M	B	FL08-11530	8.4	CH08-11288	ST08-11316	95	88.9	203	215	62	66	447	513	184	-	340
M	A-C	FC10-11116	9.2	CH10-11117	ST10-11239	102	101.6	260	275	73	63	420	522	185	161	277
M	B	FC10-11313	9.2	CH10-11117	ST10-11239	102	101.6	260	275	73	63	420	490	185	-	277
M	A-C	FL10-11312	13.8	CH10-11308	SC10-11317	114	127	260	275	73	69	483	581	190	161	341
M	B	FL10-11310	13.8	CH10-11308	SC10-11317	114	127	260	275	73	69	483	552	190	-	341
M	A-C	FC12-11380	14.4	CH12-11388	ST12-11390	114	114	300	320	73	70	418	520	200	180	277
M	B	FC12-11382	14.4	CH12-11388	ST12-11390	114	114	300	320	73	70	418	488	200	-	277
M	A-C	FL12-15876	16.7	CH12-13632	ST12-15870	127	127	300	320	97	70	519	622	210	180	404
M	B	FL12-15878	16.7	CH12-13632	ST12-15870	127	127	300	320	97	70	519	597	210	-	404
M	A-C	FC14-13122	20	CH14-12245	SC14-12254	152.2	152.2	356	373	108	89	473	597	257	208	330
M	B	FC14-13277	20	CH14-12245	SC14-12254	152.2	152.2	356	373	108	89	473	569	257	-	330
M	A-C	FL14-13361	25.9	CH14-13356	SC14-13357	152.2	152.2	356	373	108	89	573	697	257	208	430
M	B	FL14-13445	25.9	CH14-13356	SC14-13357	152.2	152.2	356	373	108	89	573	669	257	-	430
M	A-C	FC16-13711	32.5	CH16-12253	SC16-12252	178	178	406	426.3	135	80	530	637	283	235	400
M	B	FC16-13670	32.5	CH16-12253	SC16-12252	178	178	406	426.3	135	80	530	610	283	-	400
M	D	FL18-17224	40	CH18-17230	SC18-17232	203	203	456	-	143	85	638	723	290	405	638
M	D	FL21-17100	54	CH21-17070	SC21-17075	254	254	545	-	183	100	613	713	328	446	613

P - Coperchio Plastico / Plastic Cap
M - Coperchio Metallico / Metal Cap

LA PORTATA D'ARIA NOMINALE E' STATA CALCOLATA A 200 mm H2O DI PERDITA DI CARICO CON LA SOLA CARTUCCIA PRIMARIA, PER I FILTRI DOTATI DELLA CARTUCCIA DI SICUREZZA LA PORTATA D'ARIA DIMINUISCE DEL 10-15% A PARITA' DI RESTRIZIONI INIZIALI.

THE NOMINAL AIR FLOW HAS BEEN CALCULATED IN 200 mm H2O OF PRESSURE DROP WITH THE MAIN CARTRIDGE ONLY, FOR FILTERS EQUIPPED WITH THE SAFETY CARTRIDGE THE AIR FLOW REDUCES UP TO 10-15% UNDER THE SAME CONDITIONS OF INITIAL RESTRICTION

(CON IMBOCCHI DIVERSI / WITH DIFFERENT INLET AND OUTLET PIPES)

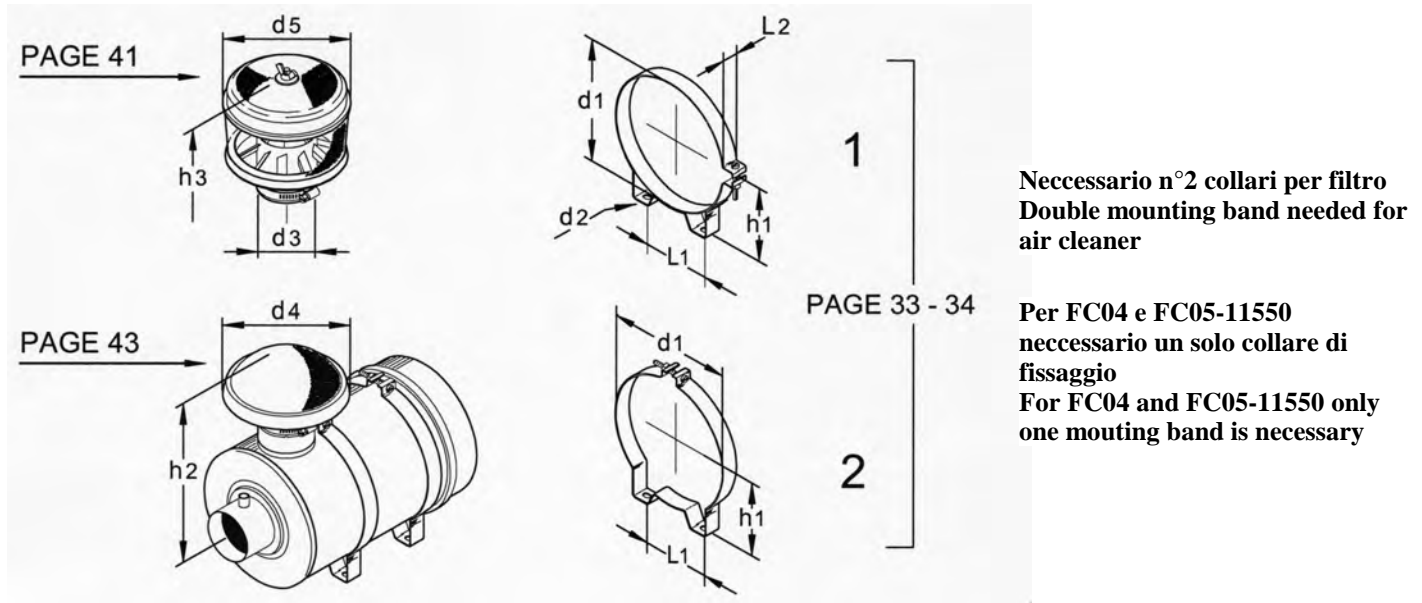


COPERCHIO CAP	TIPO TYPE	FILTRO FILTER	PORT. ARIA AIR FLOW	CARTUCCE - ELEMENTS		d1	d2	d3	d4	L1	L2	L3	L4	h1	h2	S
				Primaria Main Element	Sicurezza Safety Element (optional)											
		Codice-Code	m³/min	Codice-Code		DIMENSIONI - DIMENSIONS in mm										
P	A-C	FC04-13795	1.7	CH04-11675	-	51	51	112	128	37	51	203	270	92	83	125
M	B	FC04-13786	1.7	CH04-11675	-	51	51	112	128	37	51	213	264	92	-	125
P	A-C	FC05-11639	2.2	CH05-11555	ST05-11618	40	40	133	146	35	61	160	265	103	120	100
P	A-C	FC05-11774	2.2	CH05-11555	ST05-11618	51	44	133	146	35	61	160	265	103	120	100
P	A-C	FC05-11852	2.9	CH05-11106	ST05-11108	51	40	133	146	35	61	274	379	103	120	205
M	A-C	FC05-11687	2.9	CH05-11106	ST05-11108	51	51	133	146	35	61	270	375	103	120	175
P	A-C	FC06-14661	3.7	CH06-11038	ST06-11109	63.5	51	165	178	42	61	297	402	118	135	240
P	A-C	FC06-11873	3.7	CH06-11038	ST06-11109	63.5	60	165	178	42	61	297	402	118	135	240
P	A-C	FC06-11853	3.7	CH06-11038	ST06-11109	63.5	60	165	178	42	77	297	418	118	135	240
P	A-C	FC06-11189	3.7	CH06-11038	ST06-11109	76	60	165	178	50	61	297	402	118	135	240
M	A-C	FC06-11570	3.7	CH06-11038	ST06-11109	63.5	57	165	178	42	61	297	402	118	135	240
P	A-C	FL06-11814	4.7	CH06-11295	ST06-11315	76	51	165	178	50	61	396	501	162	135	343
P	A-C	FC08-11169	5.7	CH08-11003	ST08-11110	76	60	203	215	50	61	323	432	140	160	260
P	A-C	FC08-11823	5.7	CH08-11003	ST08-11110	76	70	203	215	50	61	323	432	140	160	260
M	A-C	FC08-12076	5.7	CH08-11003	ST08-11110	76	70	203	215	50	61	367	428	140	-	225
M	A-C	FC08-11541	5.7	CH08-11003	ST08-11110	76	76	203	215	50	62	331	425	140	137	260
P	A-C	FL08-11559	7.4	CH08-11288	ST08-11316	76	70	203	215	62	70	400	518	184	160	340
M	A-C	FL08-11568	7.4	CH08-11288	ST08-11316	95	88.9	203	215	62	66	412	510	184	137	350
P	A-C	FL08-13045	7.4	CH08-11288	ST08-11316	95	88.9	203	215	62	41	400	489	134	160	340
M	A-C	FC10-11831	9.2	CH10-11117	ST10-11239	102	76	260	275	73	105	427	568	185	160	277
M	B	FC10-11796	9.2	CH10-11117	ST10-11239	102	88.9	260	275	73	107	427	534	185	-	277
M	A-C	FL10-11683	11.5	CH10-11308	SC10-11317	114	88.9	260	275	73	107	490	633	190	160	341
M	B	FL10-11784	11.5	CH10-11308	SC10-11317	114	88.9	260	275	73	107	490	597	190	-	341
M	A-C	FL10-13981	11.5	CH10-11308	SC10-11317	114	100	260	275	73	107	484	624	190	161	341
M	B	FL10-11762	11.5	CH10-11308	SC10-11317	114	100	260	275	73	107	490	597	190	-	341
M	B	FL10-12125	11.5	CH10-11308	SC10-11317	114	114	260	275	73	73	490	563	190	-	341
M	A-C	FC12-13401	12.5	CH12-11388	ST12-11390	114	110	300	320	73	122	418	573	200	180	277
M	A-C	FC12-13742	14.7	CH12-11388	SC12-11391	127	127	300	320	97	70	418	521	210	180	280
M	B	FC12-13743	14.7	CH12-11388	SC12-11391	127	127	300	320	97	70	418	488	210	-	280
M	A-C	FC14-13659	20	CH14-12245	SC14-12254	152.4	130	356	373	108	110	480	621	257	208	330
M	B	FC14-13658	20	CH14-12245	SC14-12254	152.4	130	356	373	108	110	480	590	257	-	330
M	B	FL14-13444	25.9	CH14-13356	SC14-13357	152.4	130	356	373	108	110	580	690	257	-	430

P - Coperchio Plastico / Plastic Cap
M - Coperchio Metallico / Metal Cap

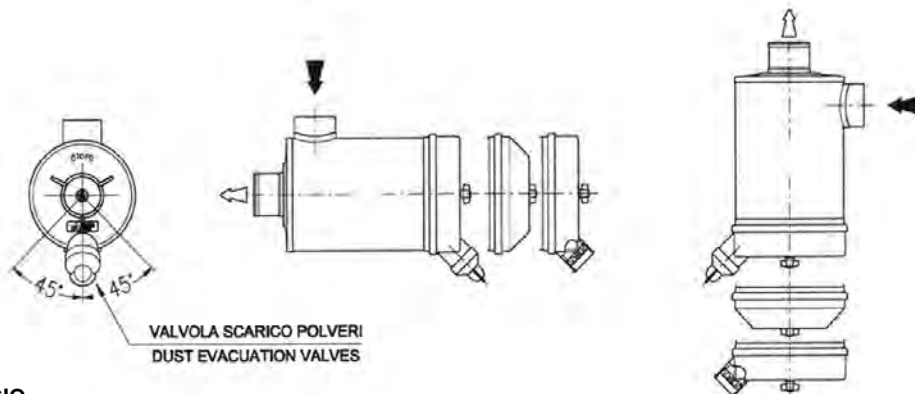
LA PORTATA D'ARIA NOMINALE E' STATA CALCOLATA A 200 mm H2O DI PERDITA DI CARICO CON LA SOLA CARTUCCIA PRIMARIA, PER I FILTRI DOTATI DELLA CARTUCCIA DI SICUREZZA LA PORTATA D'ARIA DIMINUISCE DEL 10-15% A PARITA' DI RESTRIZIONI INIZIALI.

THE NOMINAL AIR FLOW HAS BEEN CALCULATED IN 200 mm H2O OF PRESSURE DROP WITH THE MAIN CARTRIDGE ONLY, FOR FILTERS EQUIPPED WITH THE SAFETY CARTRIDGE THE AIR FLOW REDUCES UP TO 10 - 15% UNDER THE SAME CONDITIONS OF INITIAL RESTRICTION.



Ulteriori tipi di collari di fissaggio vedi pag. 33
 For other mounting band type see page 33

FILTRO AIR CLEANER	CAPPELLO PARAPIOGGIA RAIN CAP	PREFILTRO A CICLONE PRECLEANER	COLLARE DI FISSAGGIO MOUNTING BAND	Tipo Type	DIMENSIONI - DIMENSIONS in mm									
					d1	d2	L1	h1	L2	d3	d4	d5	h2	h3
Serie - Series	Codice-Code	Codice-Code	Codice-Code											
FC04	CP-11105	CT-11193	CF04-11923	1	112	M8x1.25	70	65	40	51.2	133	143	142	183
FC05	CP-11105	CT-11193	CF05-12906	1	133	9	83	74.5	38	51.2	133	143	155	210
FC05	CP-11105	CT-11193	CF05-11101	2	133	9	83	80	20	51.2	133	143	153	194
FL05	CP-11073	CT-11192	CF05-11101	2	133	9	83	80	20	63.7	152	143	159	210
FC06	CP-11073	CT-11192	CF06-11043	2	165	13x9	95	100	22	63.7	152	143	175	209
FL06	CP-11031	CT-11283	CF06-11043	2	165	13x9	95	100	22	76.2	160	173	237	277
FC08	CP-11031	CT-11283	CF08-10692	2	203	13x9	108	120	25	76.2	160	173	215	255
FL08	CP-15087	CT-11050	CF08-10692	2	203	13x9	108	120	25	96	252	270	263	335
FC10	CP-15090	CT-11185	CF10-11131	1	260	11.5	127	145	32	102.2	250	270	264	335
FL10	CP-15092	CT-11454	CF10-11131	1	260	11.5	127	145	32	114.2	250	270	269	340
FC12	CP-15092	CT-11454	CF12-11184	1	300	13	152	175	32	114.2	250	270	279	385
FL12	CP-16356	CT-13282	CF12-11184	1	300	13	152	175	32	127.2	250	306	282	395
FC14	CP-15800	CT-13209	CF14-13273	1	355.5	13	203	203	35	152.5	360	306	325	430
FL14	CP-15800	CT-13209	CF14-13273	1	355.5	13	203	206	35	152.5	360	306	325	430
FC16	CP-16865	CT-15953	CF16-13712	1	406	13	254	231	38	178.2	385	406	390	514
FL18	CP-17413	CT-15971	CF18-17348	1	456	14	400	234	48	-	412	-	437	-
FL21	CP-17411	-	CF21-17210	1	546	14	490	278	48	-	412	-	475	-



MONTAGGIO

GRAZIE ALLA POSIZIONE DELLA VALVOLA SCARICO POLVERI, IL FILTRO VIRGIS PUO' ESSERE MONTATO SIA ORIZZONTALMENTE CHE VERTICALMENTE. INOLTRE LA VALVOLA DI SCARICO DELLE POLVERI, DOVE IL FILTRO E' MONTATO ORIZZONTALMENTE PUO' ESSERE INCLINATA AL MASSIMO DI 45° RISPETTO ALLA VERTICALE SENZA COMPROMETTERE LA FUNZIONALITA' DEL FILTRO STESSO. (VEDI FIGURA)

MOUNTING

THE DUST EVACUATION VALVE POSITION PERMIT THE HORIZONTAL AND VERTICAL INSTALLATION OF THE AIR CLEANER, WITH THE HORIZONTAL POSITION THE EVACUATOR VALVE CAN BE ROTATE UNTIL 45° FROM THE VERTICAL LINE KEEPING THE RIGHT OPERATING.

Collari di fissaggio per filtri assiali " **VikoPac** "
Mounting band for axial filters



- Resistono alla corrosione
- Resistono alle vibrazioni
- Sono incluse le viti
- Seguono le dilatazioni termiche del filtro
- Costruiti in acciaio

- Corrosion resistant
- Vibrations resistant
- Screws included
- Adapting to the housing thermal dilatations
- Steel made

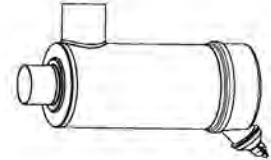
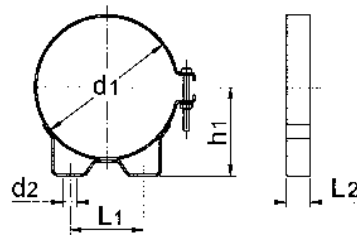


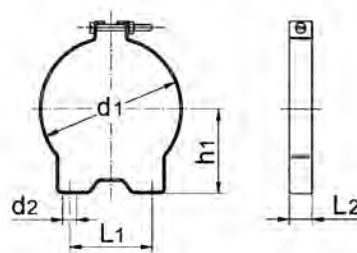
FIG. 1



CODICE CODE	d1	d2	h1	L1	L2
CF05-12906	133	9	80	83	22
CF06-12907	165	13 x 9	102.5	92	22
CF07-11527	187	13 x 9	120	108	25
CF08-12908	203	13 x 9	123	110	25
CF08-15420	203	9	116.5	110	25
CF10-11131	260	11.5	146	127	32
CF12-11184	300	13	175	152	32
CF14-13273	355.5	13	206	203	35
CF16-13712	406	13	231	254	38
CF18-17348	456	14	234	400	48
CF21-17210	546	14	278.5	490	48

Necessario n°2 collari per filtro
Double mounting band needed for air cleaner

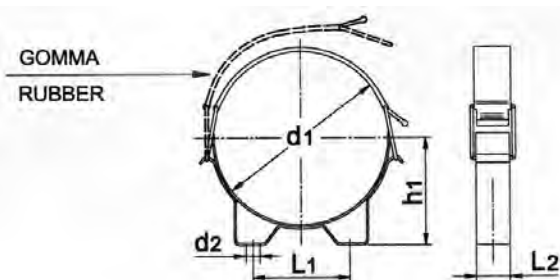
FIG. 2



CODICE CODE	d1	d2	h1	L1	L2
CF05-11101	133	9	80	83	20
CF06-11043	165	13 x 9	100	95	22
CF08-10692	203	13 x 9	120	112	25

Necessario n°2 collari per filtro
Double mounting band needed for air cleaner

FIG. 3



CODICE CODE	d1	d2	h1	L1	L2
CF06-15486	165	13 x 9	102	92	32
CF08-15490	203	13 x 9	123	110	32
CF10-15618	260	11	146	127	32

Necessario n°2 collari per filtro
Double mounting band needed for air cleaner

Collari di fissaggio per filtri assiali "VikoPac"
Mounting band for axial filters



- Resistono alla corrosione
- Resistono alle vibrazioni
- Sono incluse le viti
- Seguono le dilatazioni termiche del filtro
- Costruiti in acciaio
- Corrosion resistant
- Vibrations resistant
- Screws included
- Adapting to the housing thermal dilatations
- Steel made

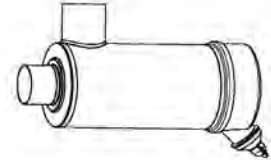
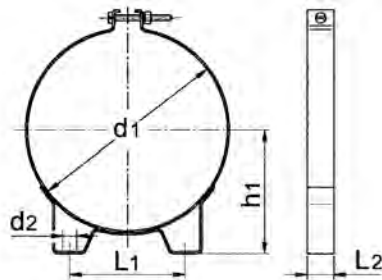


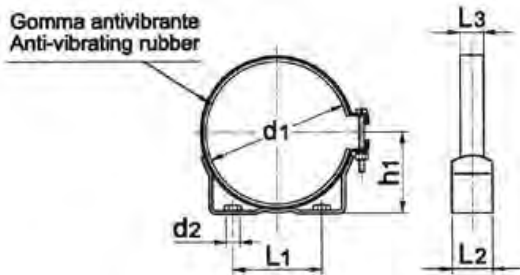
FIG. 1



CODICE CODE	d1	d2	h1	L1	L2	L3
CF07-12197	187	13 x 9	120	108	25	-

Neccessario n°2 collari per filtro
Double mounting band needed for air cleaner

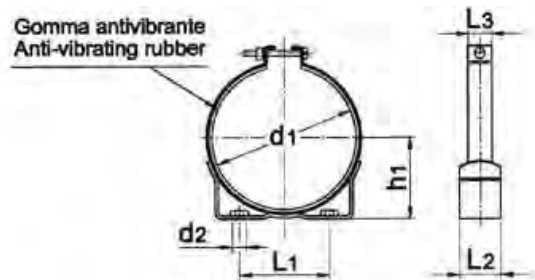
FIG. 2



CODICE CODE	d1	d2	h1	L1	L2	L3
CF05-11956	133	M8 x 1.25	74.5	83	38	22

Neccessario un solo collare per filtro
Only one mounting band needed for air cleaner

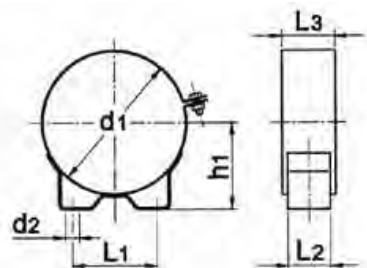
FIG. 3



CODICE CODE	d1	d2	h1	L1	L2	L3
CF05-11957	133	M8 x 1.25	74.5	83	38	22

Neccessario un solo collare per filtro
Only one mounting band needed for air cleaner

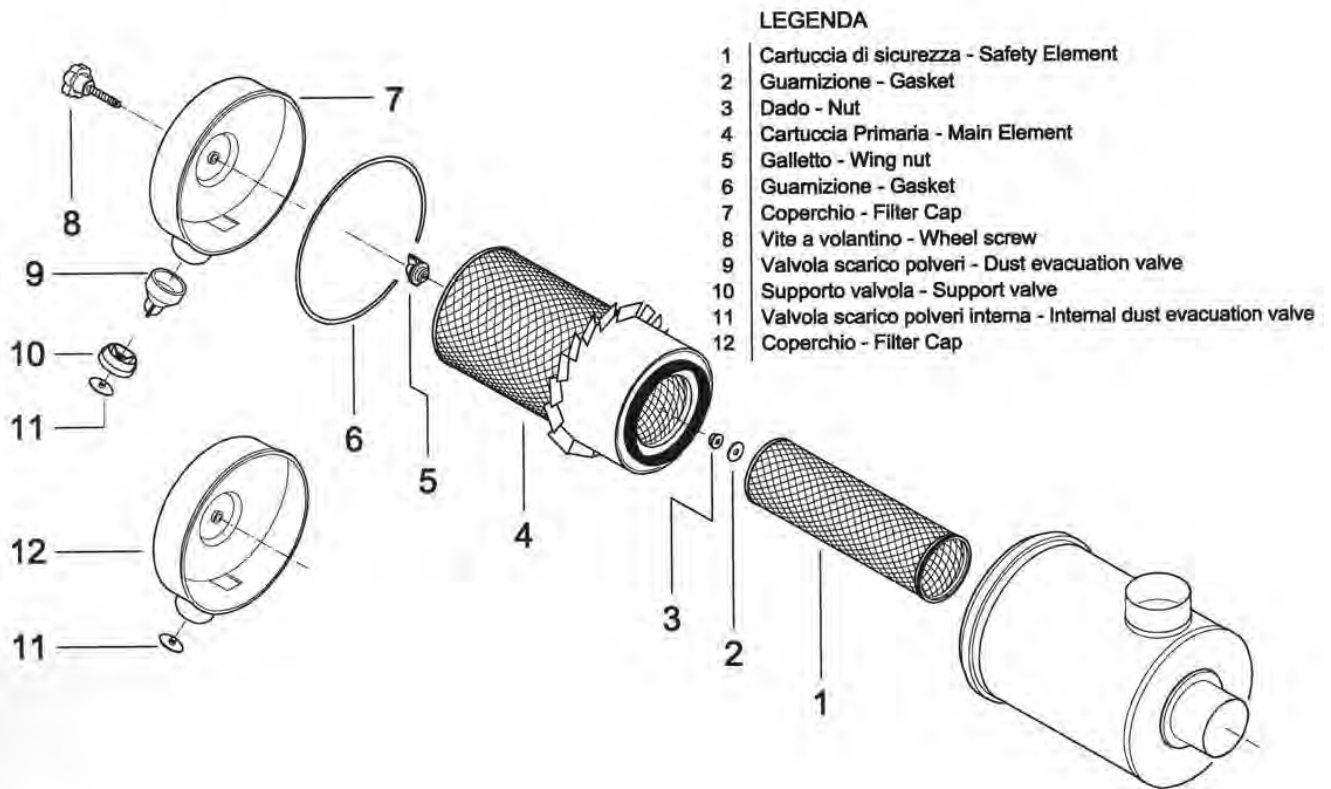
FIG. 4



CODICE CODE	d1	d2	h1	L1	L2	L3
CF04-11923	112	M8 x 1.25	72	70	40	50
CF05-13337	133	9	81	83	40	50

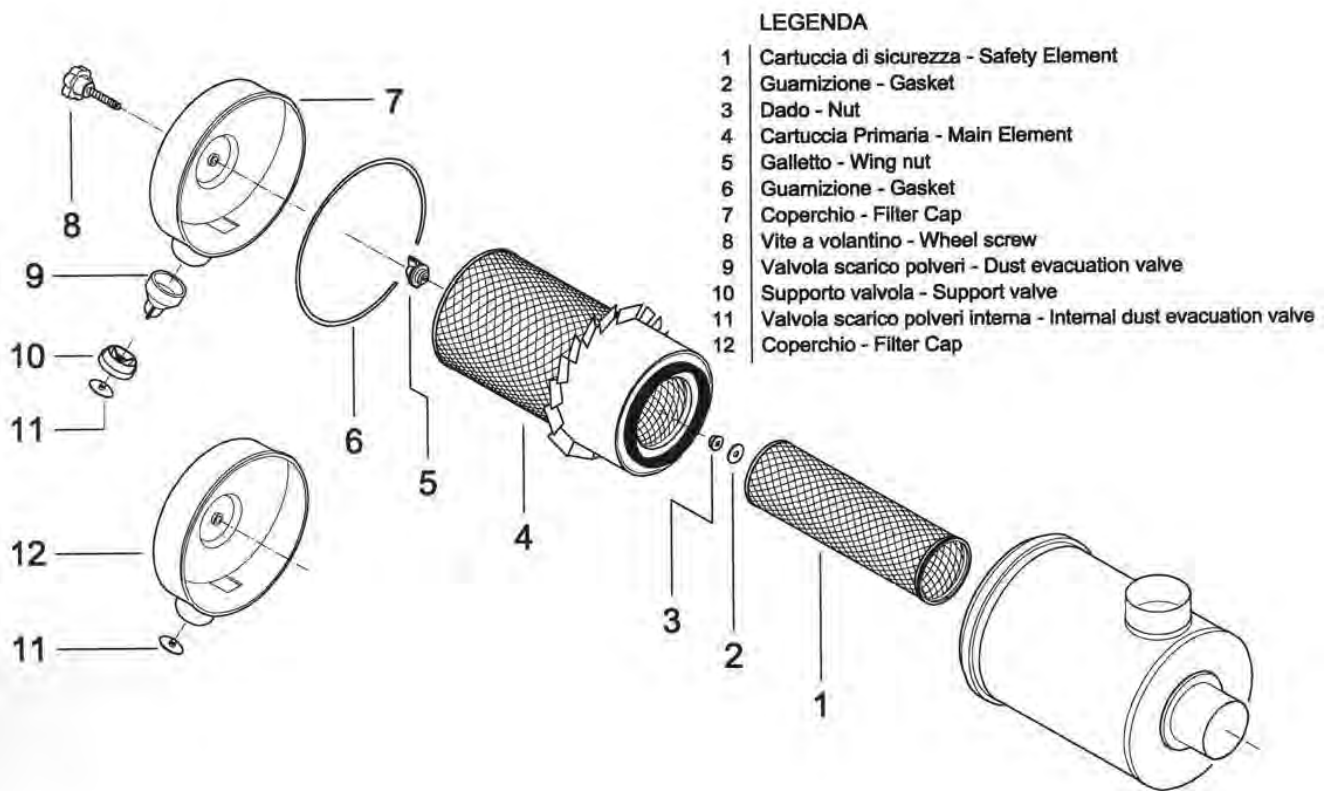
Neccessario un solo collare per filtro
Only one mounting band needed for air cleaner

**RICAMBI FILTRI SERIE FC - FL
SPARE PARTS FOR AIR FILTERS FC - FL SERIES**



FILTRO AIR CLEANER	1	2	3	4	5	6	7	8	9	10	11	12
Codice - Code	Codice - Code											
FC04-11981	-	-	-	11675	11004	11921	13832	11005	11980	-	-	-
FC04-13795	-	-	-	11675	12579	11921	13832	11005	11980	-	-	-
FC05-11687	11108	11244	4050010360	11106	11004	11086	11688	11005	11980	13932	13895	-
FC05-11852	11108	11244	4050010360	11106	11004	11086	11083	11005	11006	-	13895	13955
FC05-11774	11618	11244	4050010360	11555	11004	11086	11083	11005	11006	-	13895	13955
FC05-11639	11618	11244	4050010360	11555	11004	11086	11083	11005	11006	-	13895	13955
FC05-11550	11618	11244	4050010360	11555	11004	11086	11083	11005	11006	-	13895	13955
FC05-11095	11108	11244	4050010360	11106	11004	11086	11083	11005	11006	-	13895	13955
FL05-11642	11655	11244	4050010360	11467	11004	11086	11083	11005	11006	-	13895	13955
FC06-11053	11109	11244	4050010360	11038	11004	11040	11039	11005	11006	-	13895	13956
FC06-11873	11109	11244	4050010360	11038	11004	11040	11039	11005	11006	-	13895	13956
FC06-11853	11109	11244	4050010360	11038	11004	11040	11039	11005	11006	-	13895	13956
FC06-11189	11109	11244	4050010360	11038	11004	11040	11039	11005	11006	-	13895	13956
FC06-11570	11109	11244	4050010360	11038	11004	11040	11572	11005	11006	13932	13895	-
FL06-11814	11315	-	11004	11295	11004	11040	11039	11005	11006	-	13895	13956
FL06-11571	11315	-	11004	11295	11004	11040	11572	11005	11006	13932	13895	-
FL06-11303	11315	-	11004	11295	11004	11040	11039	11005	11006	-	13895	13956
FC08-11002	11110	11244	4050010360	11003	11004	11022	11001	11005	11006	-	13895	13958
FC08-11169	11110	11244	4050010360	11254	11004	11022	11001	11005	11006	-	13895	13958
FC08-11823	11110	11244	4050010360	11254	11004	11022	11001	11005	11006	-	13895	13958
FC08-11541	11110	11244	4050010360	11254	11004	11022	13783	11005	11006	13932	13895	-

**RICAMBI FILTRI SERIE FC - FL
SPARE PARTS FOR AIR FILTERS FC - FL SERIES**

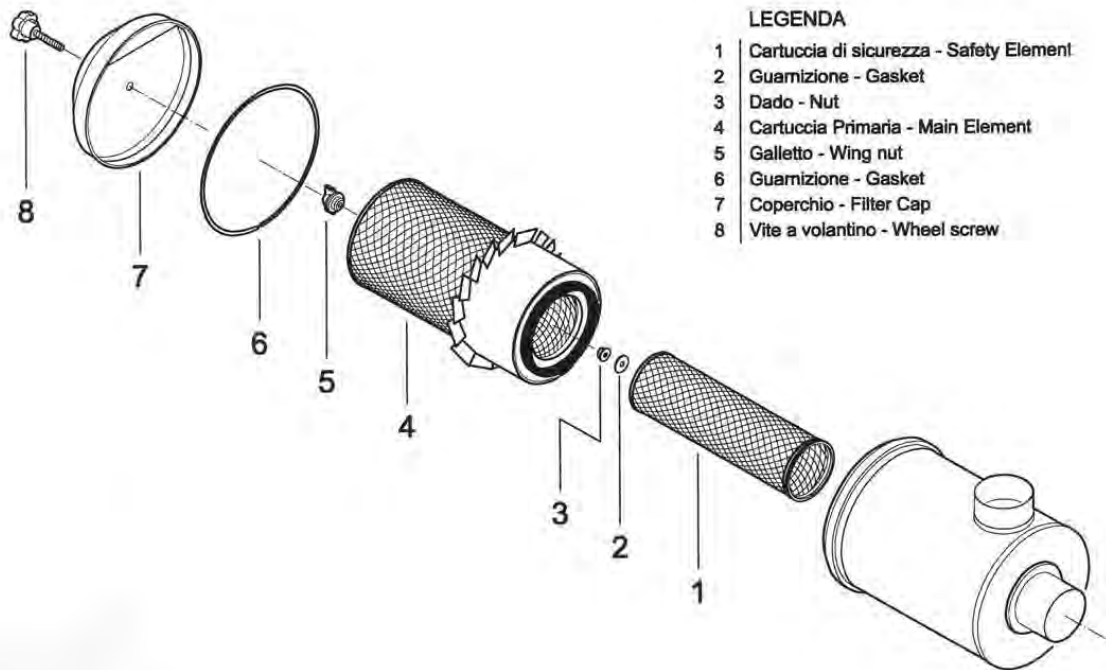


LEGENDA

- 1 Cartuccia di sicurezza - Safety Element
- 2 Guarnizione - Gasket
- 3 Dado - Nut
- 4 Cartuccia Primaria - Main Element
- 5 Galletto - Wing nut
- 6 Guarnizione - Gasket
- 7 Coperchio - Filter Cap
- 8 Vite a volantino - Wheel screw
- 9 Valvola scarico polveri - Dust evacuation valve
- 10 Supporto valvola - Support valve
- 11 Valvola scarico polveri interna - Internal dust evacuation valve
- 12 Coperchio - Filter Cap

FILTRO AIR CLEANER	1	2	3	4	5	6	7	8	9	10	11	12
Codice - Code	Codice - Code											
FL08-11306	11316	-	11004	11288	11004	11022	11001	11005	11006	-	13895	13958
FL08-11559	11316	-	11004	11288	11004	11022	11001	11005	11006	-	13895	13958
FL08-11568	11316	-	11004	11288	11004	11022	13783	11005	11006	13932	13895	-
FL08-13045	11316	-	11004	11288	11004	11022	11001	11005	11006	-	13895	13958
FC10-11116	11239	11330	4050010365	11117	11128	11130	11124	11833	11006	13932	13895	-
FC10-11831	11239	11330	4050010365	11117	11128	11130	11124	11833	11006	13932	13895	-
FL10-11312	11317	-	12613	11308	11128	11130	11124	11833	11006	13932	13895	-
FL10-11683	11317	-	12613	11308	11128	11130	11124	11833	11006	13932	13895	-
FC12-11380	11390	11330	4050010365	11388	11128	11231	11259	11834	11006	13932	13895	-
FC12-13401	11390	11330	4050010365	11388	11128	11231	11259	11834	11006	13932	13895	-
FC12-13742	11391	-	12613	11388	11128	11231	11259	11833	11006	13932	13895	-
FL12-13630	13636	-	12613	13632	11128	11231	11259	11833	11006	13932	13895	-
FL12-15876	15870	-	12613	13632	11128	11231	11259	11833	11006	13932	13895	-
FC14-13122	12254	-	12613	12245	11128	13135	13134	11834	11006	13932	13895	-
FC12-13659	12254	-	12613	12245	11128	13135	13134	11834	11006	13932	13895	-
FL14-13361	13357	-	12613	13356	11128	13135	13134	11834	11006	13932	13895	-
FC16-13711	12252	11330	4050010365	12253	11128	13681	13713	13686	11006	13932	13895	-

**RICAMBI FILTRI SERIE FC - FL
SPARE PARTS FOR AIR FILTERS FC - FL SERIES**



LEGENDA

- 1 Cartuccia di sicurezza - Safety Element
- 2 Guarnizione - Gasket
- 3 Dado - Nut
- 4 Cartuccia Primaria - Main Element
- 5 Galletto - Wing nut
- 6 Guarnizione - Gasket
- 7 Coperchio - Filter Cap
- 8 Vite a volantino - Wheel screw

FILTRO AIR CLEANER	1	2	3	4	5	6	7	8
Codice - Code	Codice - Code							
FC04-11911	-	-	-	11675	12579	11921	13789	11005
FC04-13786	-	-	-	11675	12579	11921	13789	11005
FC05-11839	11618	11244	4050010360	11555	11004	11086	11609	11835
FC05-11608	11108	11244	4050010360	11106	11004	11086	11609	11835
FL05-11699	11655	11244	4050010360	11467	11004	11086	11609	11835
FC06-11604	11109	11244	4050010360	11038	11004	11040	11605	11835
FL06-11700	11315	-	11004	11295	11004	11040	11605	11835
FC08-11701	11110	11244	4050010360	11003	11004	11022	11499	12097
FC08-12076	11110	11244	4050010360	11254	11004	11022	11499	12097
FL08-11530	11316	-	11004	11288	11004	11022	11499	12097
FC10-11313	11239	11330	4050010365	11117	11128	11130	11328	11833
FC10-11796	11239	11330	4050010365	11117	11128	11130	11328	11833
FL10-11310	11317	-	12613	11308	11128	11130	11328	11833
FL10-11762	11317	-	12613	11308	11128	11130	11328	11833
FL10-11784	11317	-	12613	11308	11128	11130	11328	11833
FL10-12125	11317	-	12613	11308	11128	11130	11328	11833
FC12-11382	11390	11330	4050010365	11388	11128	11231	11578	11834
FL12-13743	11391	-	12613	11388	11128	11231	11578	11833
FL12-13631	13636	-	12613	13632	11128	11231	11578	11833
FL12-15878	15870	-	12613	13632	11128	11231	11578	11833
FC14-13277	12254	-	12613	12245	11128	13135	13449	11834
FC14-13658	12254	-	12613	12245	11128	13135	13449	11834
FL14-13444	13357	-	12613	13356	11128	13135	13449	11834
FL14-13445	13357	-	12613	13356	11128	13135	13449	11833
FC16-13670	12252	11330	4050010365	12253	11128	13681	13682	13686